

# Canon Pop-up Card (Teacup) : Assembly Instructions

Canon® is a registered trademark of Canon Inc. © HIROKO

## PAPER CRAFT



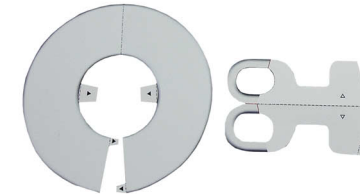
**1** Cut out the parts and crease them along the fold lines indicated.

● Part A

● Part D



● Spoon



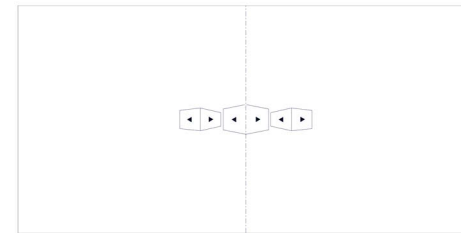
● Part C



● Part B

● Support

● Base

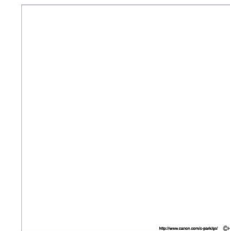


● Stickers



● Front cover

● Back cover



### Assembly Instructions

..... **Mountain fold** (dotted line)      ——— **Scissors line** (solid line)  
\*Make a mountain fold.                      \*Cut along the line.

- - - - - **Valley fold** (dashed and dotted line)      ——— **Cut in line** (solid line)  
\*Make a valley fold.                              \*Make a cut.

▲ **Black triangle**  
Glue here

△ **White triangle**  
Glue the back



scissors, paste, a used ballpoint pen (tracing along the fold lines makes them easier to fold)

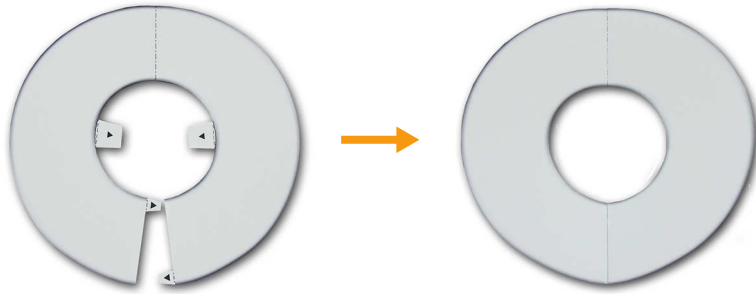


**Caution:** Glue, scissors, and other tools may be dangerous to young children so be sure to keep them out of the reach of young children.

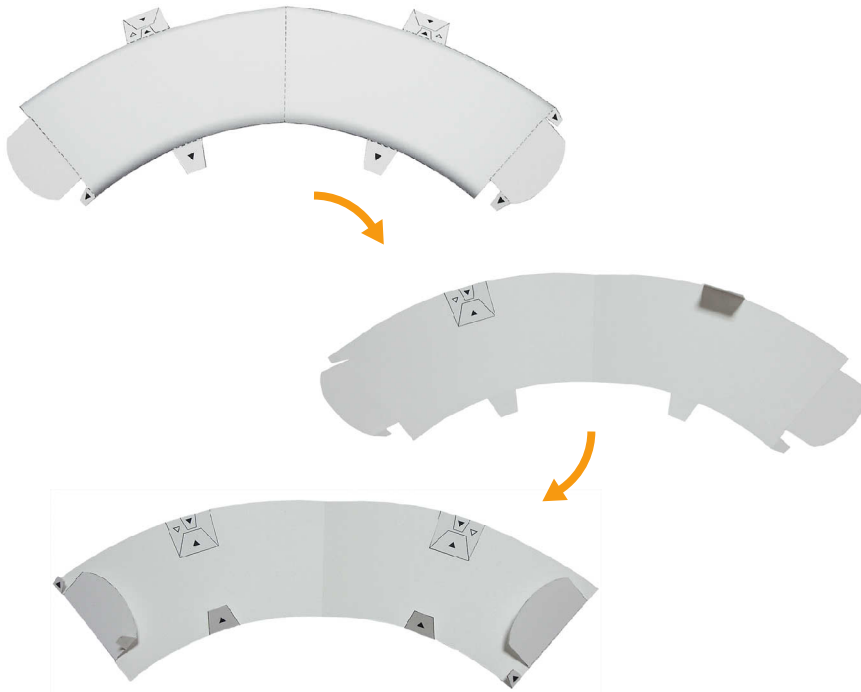
# Canon Pop-up Card (Teacup) : Assembly Instructions

Canon® is a registered trademark of Canon Inc. © HIROKO

**2** Glue the ends of part B and stick them together.



**3** Flip part A over, fold over the upper glue spots and then stick down on the inside.



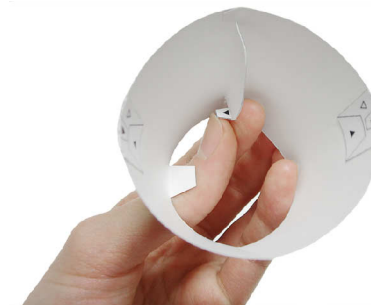
**4** Curl part A.  
(Use a pen or other tubular object to make the curl as shown.)



**5** Glue the ends of part A and stick them together.



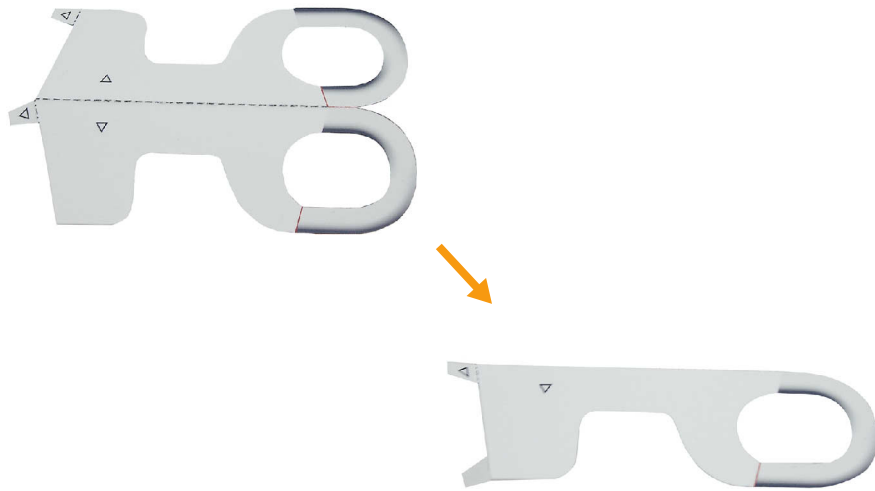
**6** Fold over the support edges and glue into place.



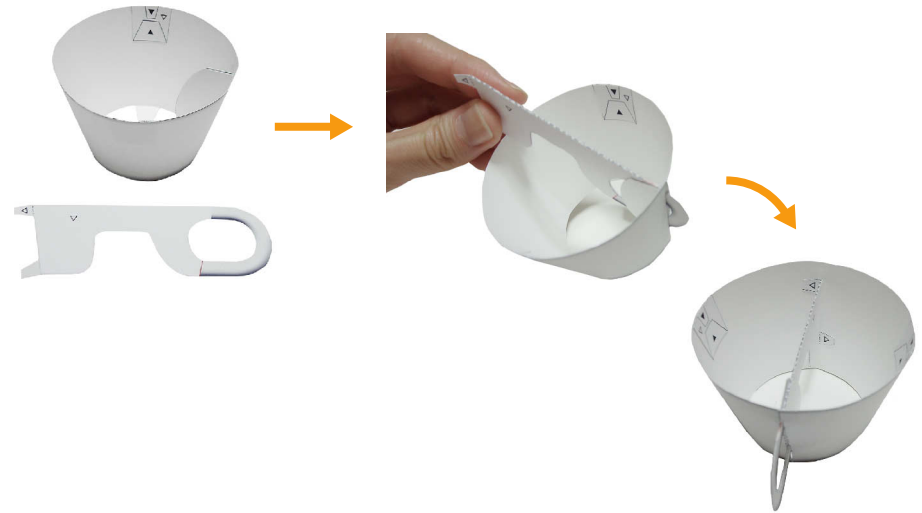
# Canon Pop-up Card (Teacup) : Assembly Instructions

Canon® is a registered trademark of Canon Inc. © HIROKO

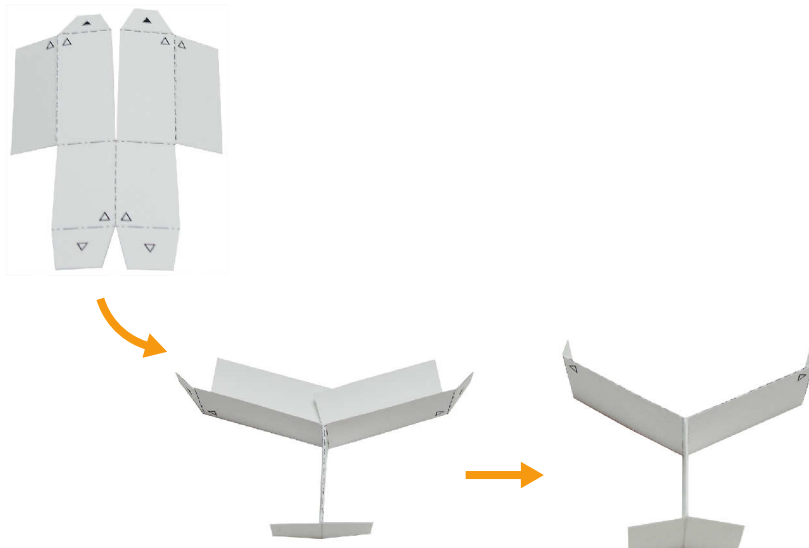
**7** Fold part C along the center line and glue together on the inside.



**9** Insert the support assembly 6 into assembly 7 then stick on assembly 7 at the glue spots, along the fold line on the opposite of the support.



**8** Fold the support along the fold line and glue together on the inside.



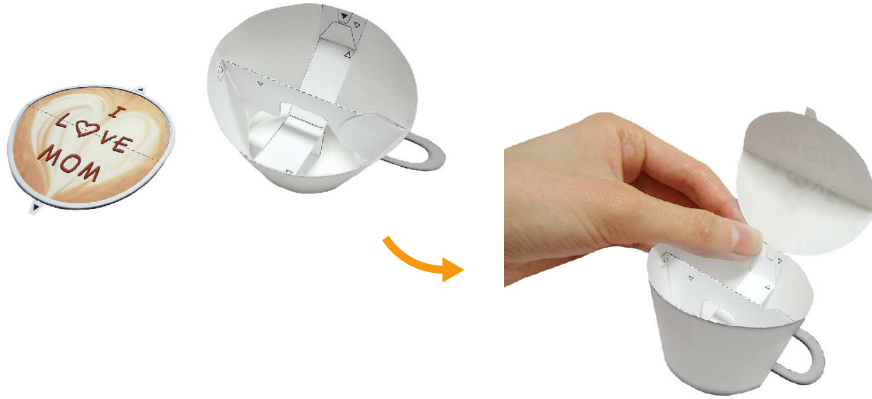
**10** Stick assemblies 8 and 9 together.



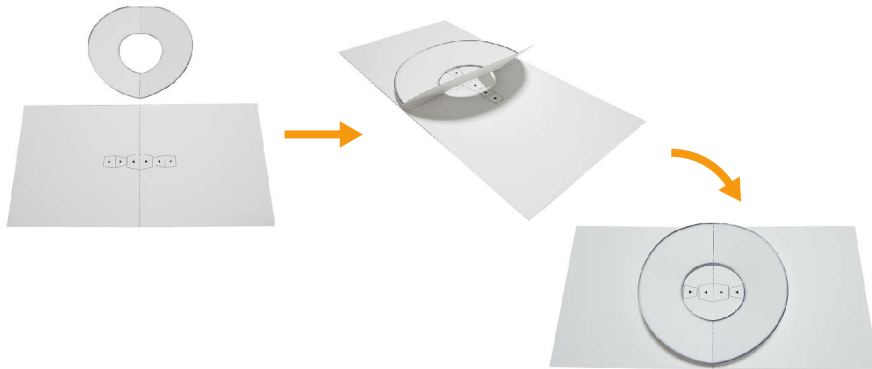
# Canon Pop-up Card (Teacup) : Assembly Instructions

Canon® is a registered trademark of Canon Inc. © HIROKO

**11** Stick part D and assembly 10 together at their glue spots.



**12** Glue assembly 2 to the base paper, once on each side.



**13** Glue assembly 11 to assembly 12, starting from the back.



**14** If you like, add the spoon and stickers.



**15** Stick on a colored paper cover onto half of the rear side of the base paper. Be careful to stick in on in the right direction.



**16** Assembly 15 is the completed card when the cover is stuck on to the other half side.

